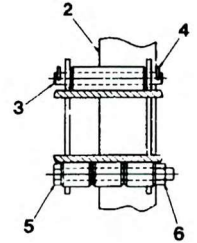
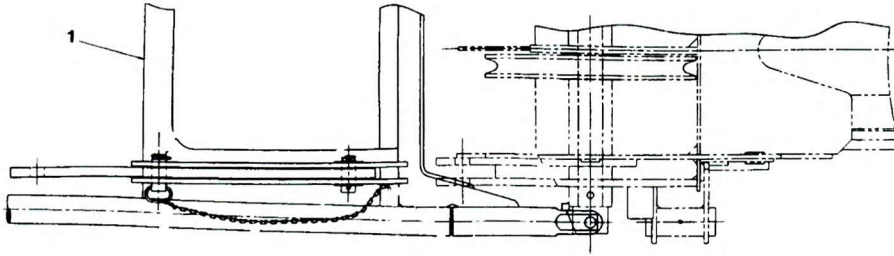
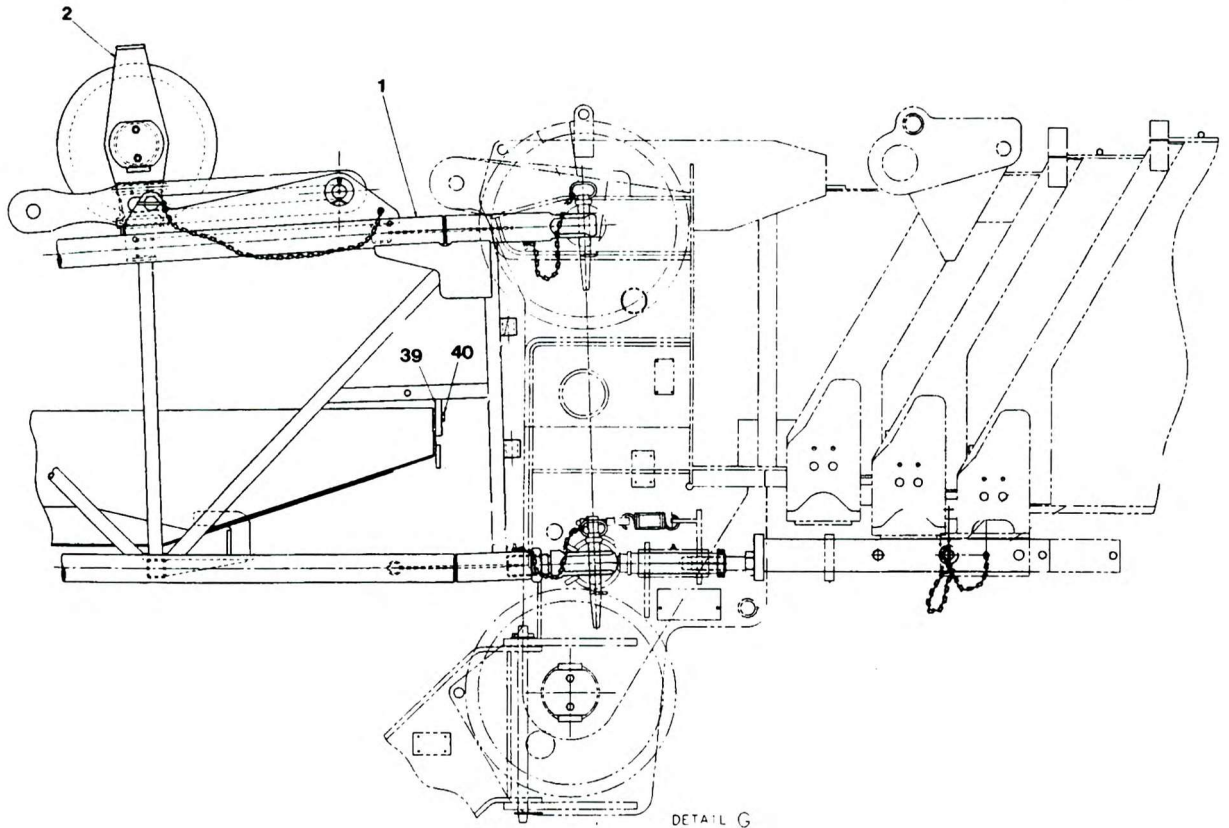


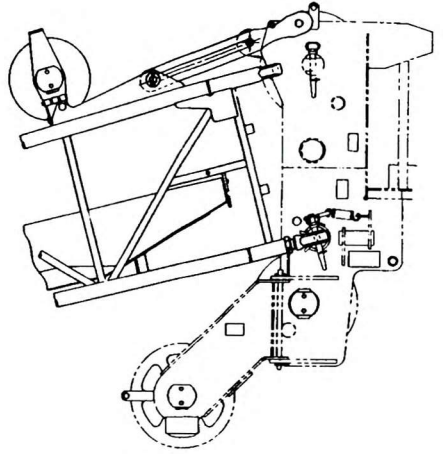
Manitowoc Crane Group



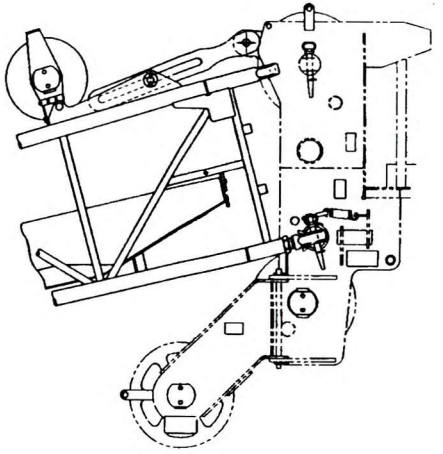
SECTION I - I



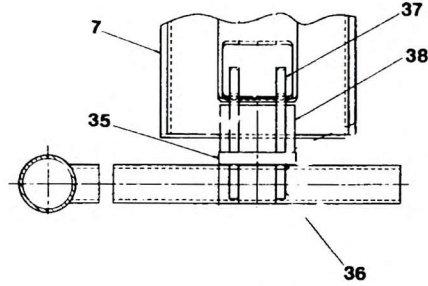
DETAIL G



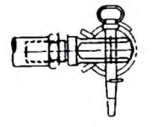
15° OFFSET



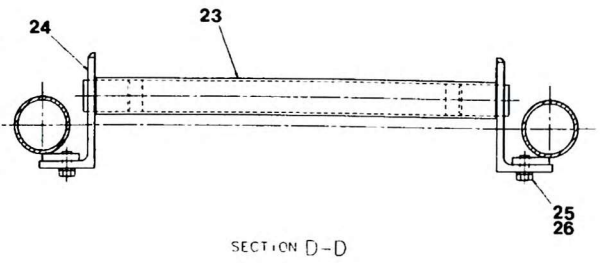
30° OFFSET



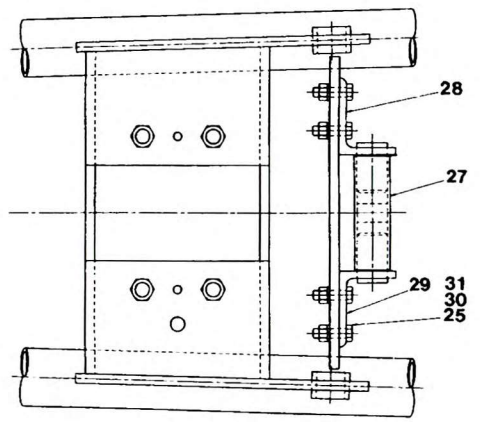
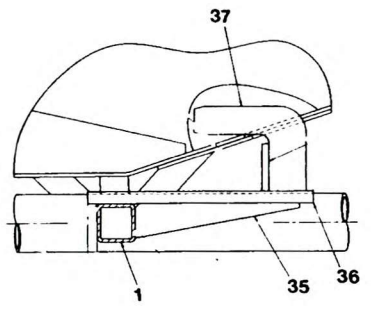
SECTION F-F



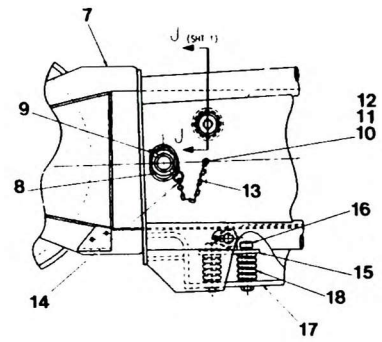
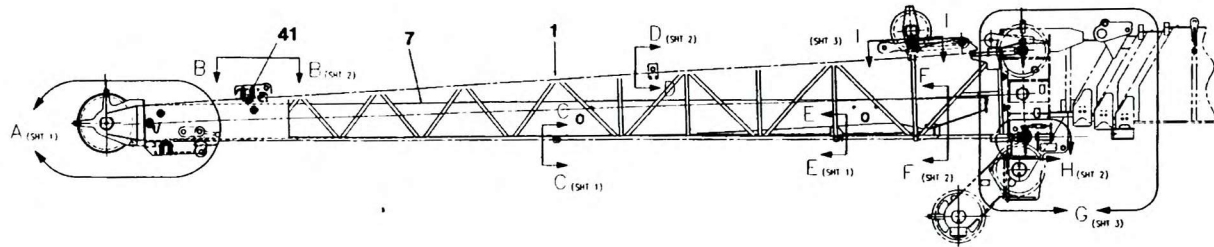
DETAIL H



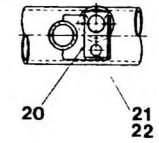
SECTION D-D



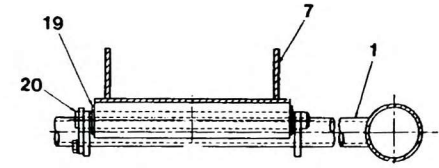
VIEW B-B



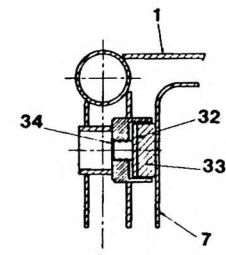
DETAIL A



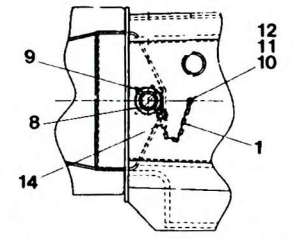
SECTION C-C



SECTION E-E



SECTION J-J



AUXILIARY VIEW FOR PIN-ON NOSE